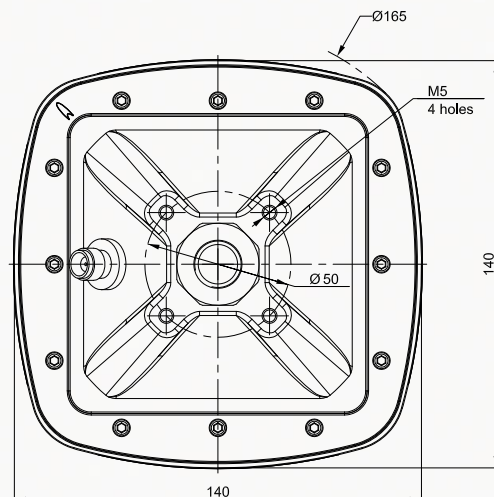
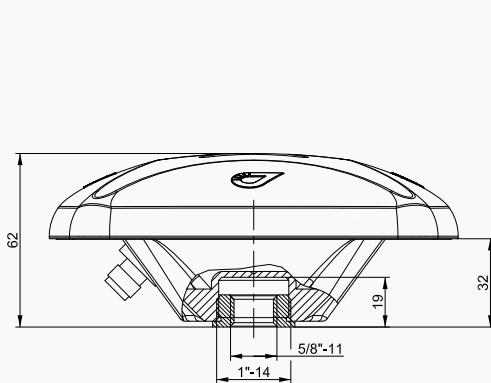


# GrAnt

GrAnt is a versatile high performance antenna. It can be mounted on flat surfaces with four screws or mounted on standard poles (5/8-11 or 1-14 inches thread). The antenna cable can be connected via the standard TNC (N-type optional) connector on its side or routed through the center of the antenna for ultimate protection in harsh environments.

GrAnt can track GPS, GLONASS and GALILEO signals.

	G3	G3T
<b>Signal</b>		
Capability	L1 GPS L1 GLONASS E1 Galileo	L1 GPS/GLONASS/Galileo L2 GPS/GLONASS L5 GPS E5 Galileo
Frequency	1565~1610 MHz	1565~1610 MHz 1165~1253 MHz
<b>Electrical</b>		
Antenna Gain	1565~1610 MHz - 5.0 dB typ.	1565~1610 MHz - 5.0 dB typ. 1165~1253 MHz - 4.0 dB typ.
Axial Ratio	3.0 dB max.	
Output Impedance	50 Ohm	
LNA gain	32±2 dB	
Noise Figure	1565~1610 MHz - 1.7 dB typ.	1565~1610 MHz - 1.7 dB typ. 1165~1253 MHz - 1.7 dB typ.
DC voltage	3.0~15.0VDC 25mA@5.0V typ.	3.0~15.0VDC 45mA@5.0V typ.
<b>Environmental</b>		
Operating Temperature	-45°C ~ +85°C	
Storage Temperature	-50°C ~ +85°C	
Humidity	Waterproof	
<b>Mechanical</b>		
Antenna type	Microstrip	
Connector	TNC	
Weight	450 g	515 g
Dimensions	140 mm x 140 mm x 62 mm	
Enclosure	Radome: ABS Base: Aluminum	
Color	Green	
Mounting	5/8-11 or 1-14 inches mount, or 4 holes M5	



Specifications are subject to change without notice.



**JAVAD GNSS**  
[www.javad.com](http://www.javad.com)

